

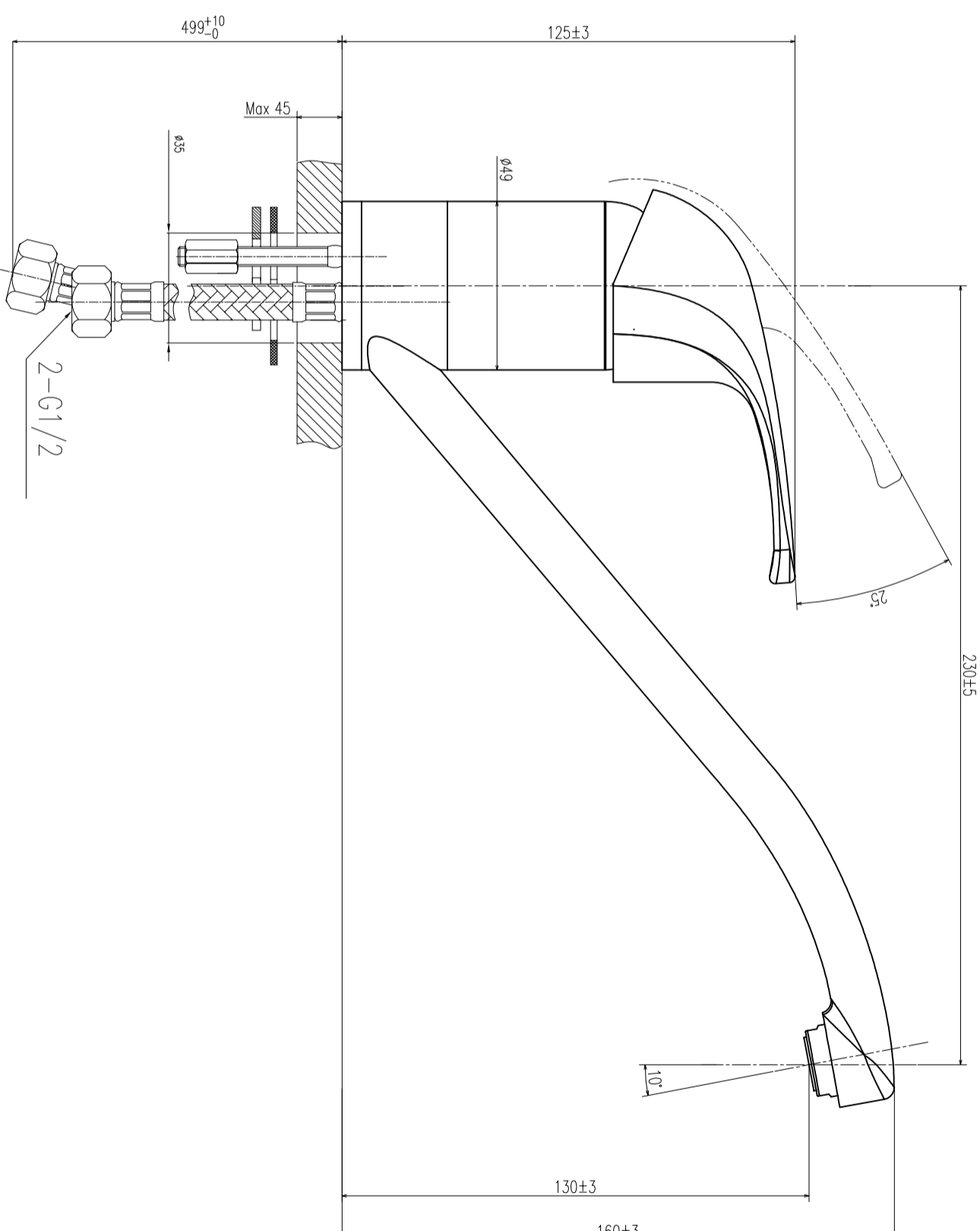
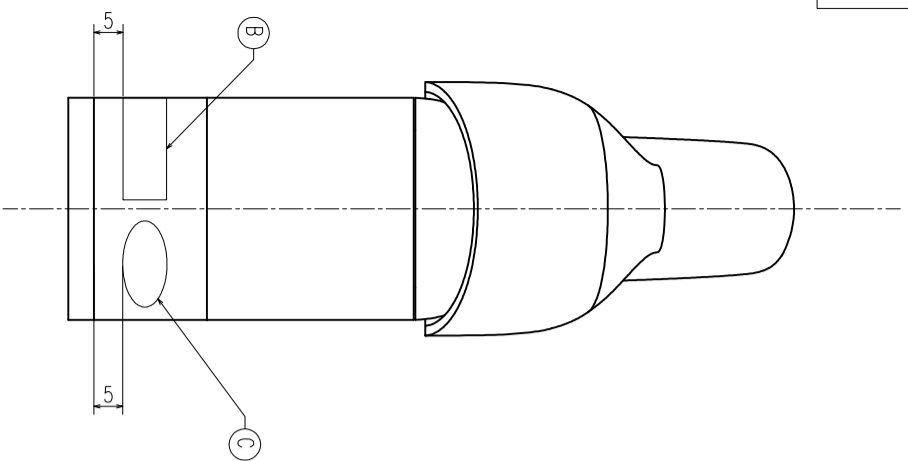
NO.	PRODUCT CODE	PRODUCT NAME	QTY
1	FH2071-BD2	FAUCET ASSY	1
	ACCESSORY		
*	A BO-0174	Box	1
*	B IS-0228	lot Seal	1
*	C S-2892-VN	Inox Protect Seal	1
*	D SF2-0703	Sticker Seal	1
*	E UW-0135	User manual	1

* New parts

ADVANCED DRAWING

VER	2	DATE	2015.09.08
Code/No	REASON OF CHANGE		
1	Add Torque twisted		
2	Add Note		
1	Add Note		

Code/No	Reason of Change
1	Add Note
2	Add Torque twisted



- 4. IT IS TORQUE IN THIS DRAWING.
- 3. PACKAGING AND CHECK POINT MUST BE APPROVED BY INAX.
- 2. THE QUALITY MUST BE FOLLOW THE SPECIFICATION OF FH2071-BD2 (CODE: IS-DE-061-01)
- 1. THE MATERIAL SHOULD NOT BE HARMFUL TO COMPLY WITH INAX STD.

MATERIAL	TORQUE	Rev.
FINISH		1
SCALE	1:1	
DRAWN	SY	
CHECK	CONG	
DATE	2015.08.18	
APPD	TAKAGAKI	
TITLE	KITCHEN FAUCET	
WORK No.	SFV-302S	
INAX Co.		