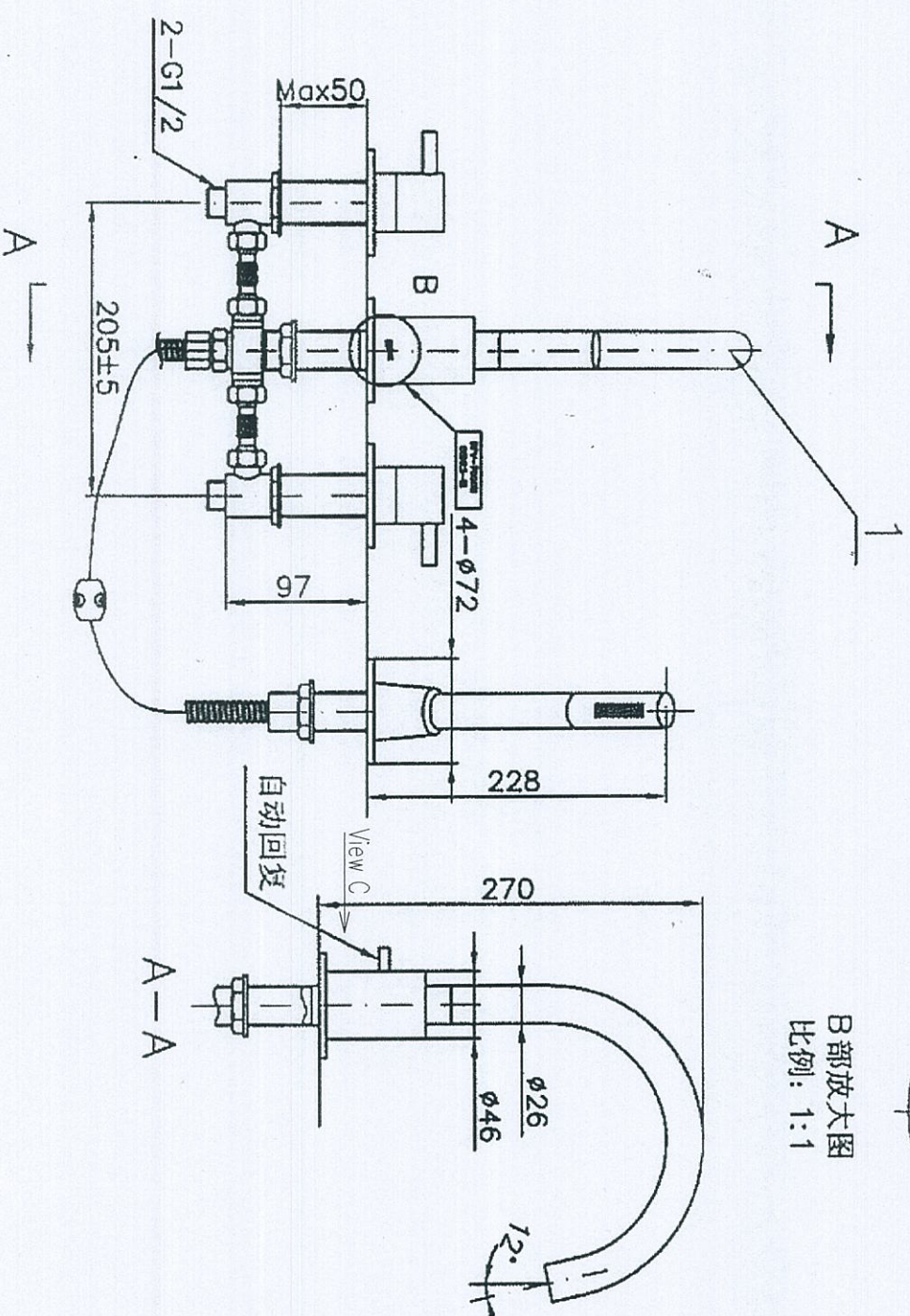
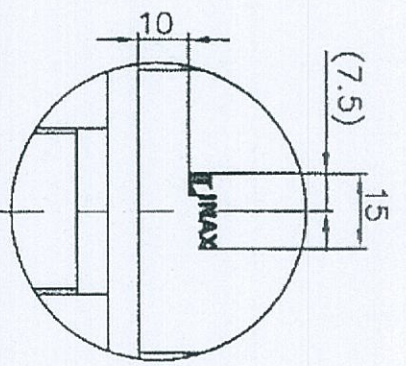
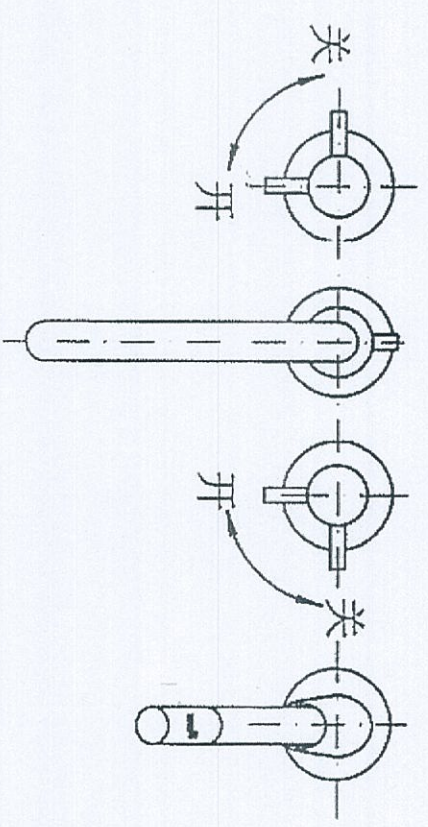


Product number chiefly used	QTY

Design/Change	
APPD	
TAKAGAKI	
CHECK	
CONG	
CHARGE	
SY	



B部放大图
比例: 1:1

注：从非华购入的品番为FH8118C-608，伊奈洁具将手持花洒刻印后，品番变更为FH8118C-608-1，手持花洒的刻印尺寸见图AC-039-1。

Date	Drew	ImprovementNo	ChangeNo	Mark	QTY	Description

NO.	PRODUCT CODE	PRODUCT NAME	QTY
1	FH8118C-608-1	Bath faucet ACCESSORY	1
A	B0-0169	Box	1
B	LS-0217	Lot Seal	1
C	S-2892-VN	Inax Protect Seal	1
D	SE2-0082	Seal	2
E	UM-0060	Manual	1

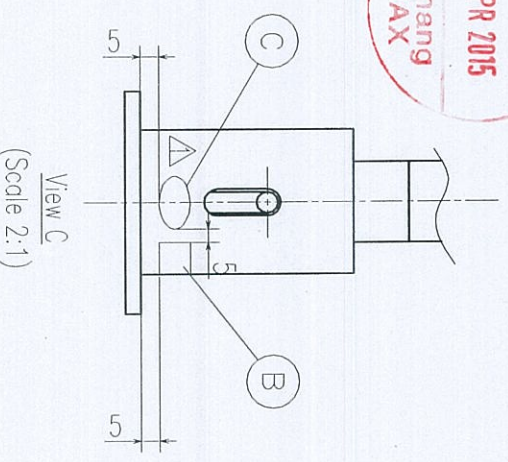
ADVANCED DRAWING

VER	2	DATE	2015.04.03
Code/No	REASON OF CHANGE		
Δ	Add position Protect seal		
1			

01 APR 2015
Fabrication Drawing
Dadang
INAX

03 APR 2015
Release of Drawing
Dadang
INAX

Tolerance	Rank	General	Finish Value
±0.1	0.5 ~ 3	±0.1	▽
±0.1	~ 6	±0.1	▽
±0.2	~ 30	±0.2	▽▽
±0.3	~ 120	±0.3	▽▽▽
±0.5	~ 315	±0.5	▽▽▽



View C
(Scale 2:1)

2. PACKAGING AND CHECK POINT MUST BE APPROVED BY INAX
NOTES 1. THE MATERIAL SHOULD NOT BE HARMFUL TO COMPLY WITH INAX STD

MATERIAL		DWG.No.	BFV-7000B	Rev.	1
TREATMENT		TITLE	BATH FAUCET		
FINISH		SCALE	1:1	DRAWN	PHUOC
		CHECK	CONG	APPD	TAKAGAKI
		DATE	2015.03.13	LIXIL VIET NAM CO.	