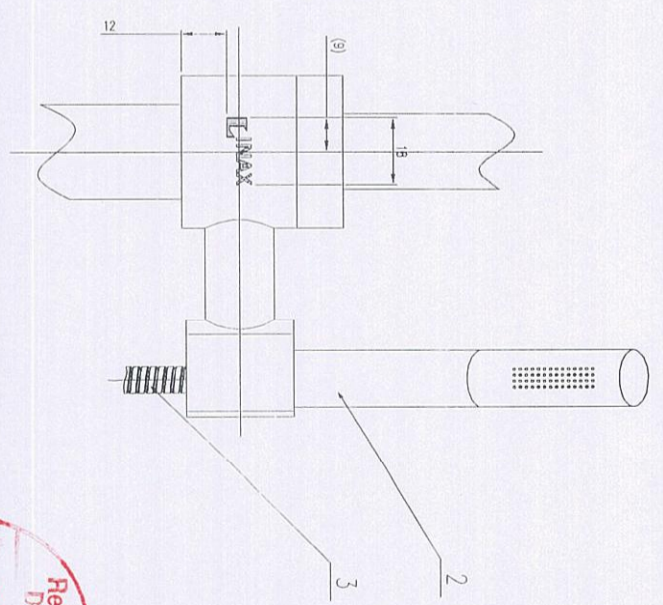
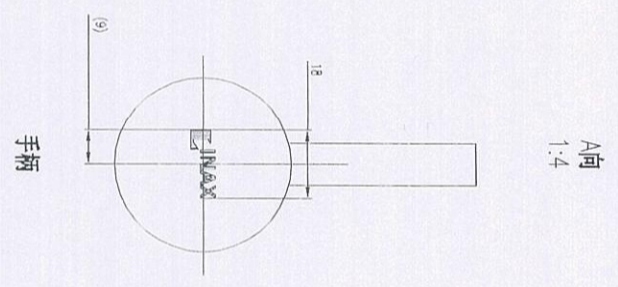
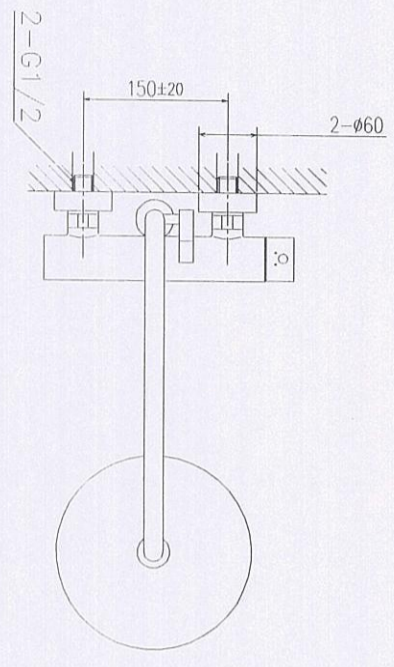


Product number chiefly used QTY

APPD	
NAKANISHI	
CHECK	
PHU	
CHARGE	
SY	



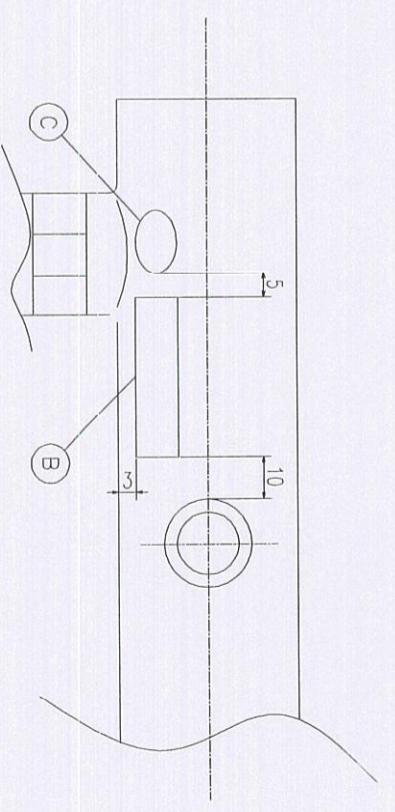
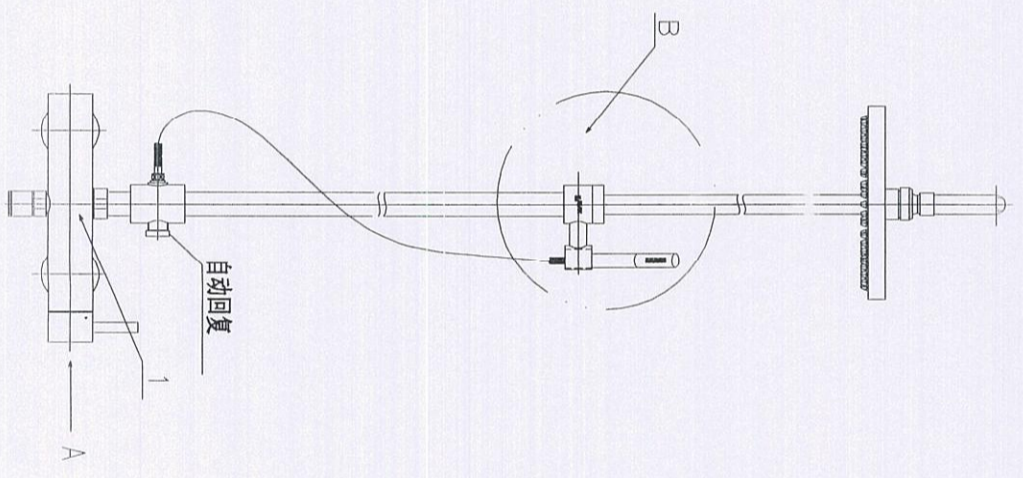
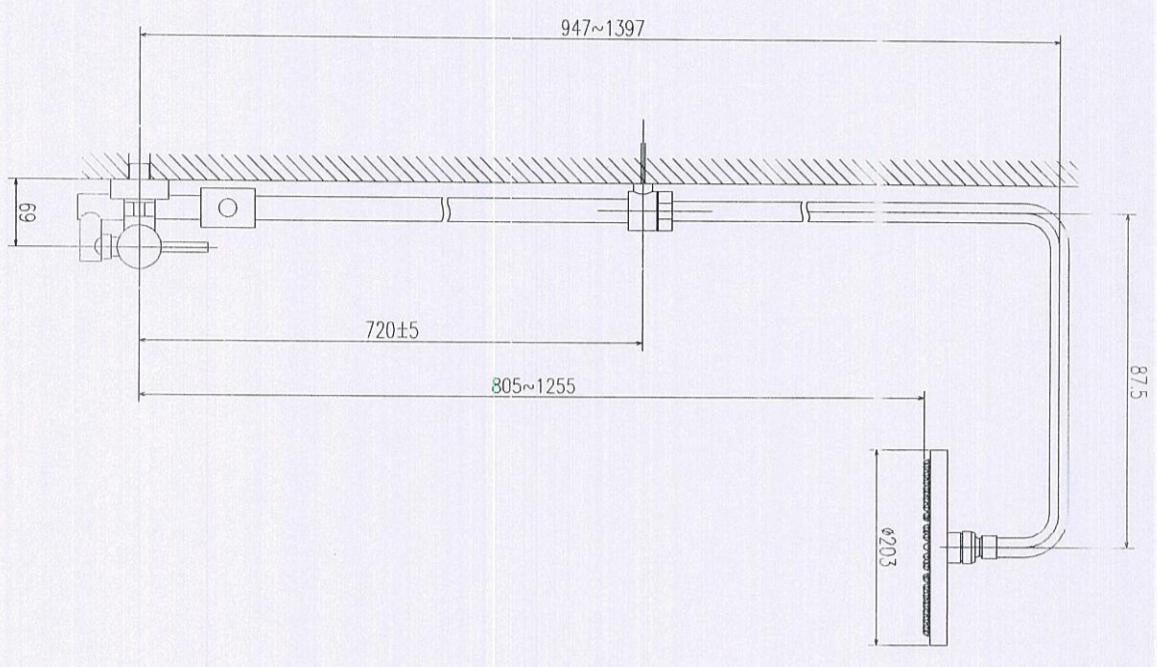
B部放大图
比例: 1:4

NO.	PRODUCT CODE	PRODUCT NAME	QTY
1	AC-039-1	Shower head	1
2	AC-040	Shower Hose	1
3	AC-144-INAX	Body Assy	1
ACCESSORY			
A	BO-0054	Box	1
B	LS-0030	Lot Seal	1
C	S-2892-VN	Inox Protect Seal	1
D	SE2-0067	Picture Seal	2
E	UM-0044	Manual	1
F	BO-0054LOT	Prod Damage	1

△ x F BO-0054LOT
x New parts

Release of Drawing
19 DEC 2015
Densang INAX

Fabrication Drawing
19 DEC 2015
Densang INAX



2. PACKAGING AND CHECK POINT MUST BE APPROVED BY INAX.
NOTES 1. THE MATERIAL SHOULD NOT BE HARMFUL TO COMPLY WITH INAX STD.

MATERIAL		DRG No.	BFV-70S	REV	2
TREATMENT		FILE	BATH FAUCET		
FINISH		SCALE	1:4		
		DRAWN	VU		
		CHECK	CONG		
		APPD	KUSHI		
		DATE	2012.06.02		
		PARTS CLASS			
			INAX Co.		

Date	Draw	Improvement	Change Work	QTY	Description
2015.11.16	SY		1	1	Add Code
			1	1	
			1	1	
			1	1	